



**SALE** items are available on first come first served basis as long as supplies last. Prices are lowered greatly to sell out all inventory.

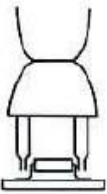
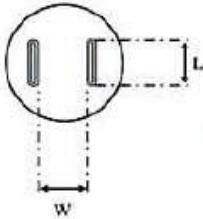

To order call: 570-842-4725 or e-mail [bomir@bomir.com](mailto:bomir@bomir.com)  
Reference "SuperSale" and P/N .....of the product listed below.

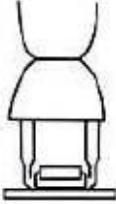
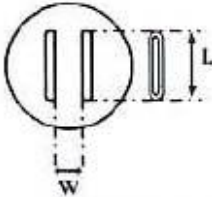

**SMT Repair Equipment**

Category	Picture	Description	Price
3		<p><b>P/N: PS-200 SMT Rework/Repair Unit</b> Q'ty: 1unit</p> <ul style="list-style-type: none"> <li>• ESD-safe by design</li> <li>• Air Temperature: 100–450°C (212-788°F)</li> <li>• The hot air pencil can be used for both soldering and desoldering of SMD's.</li> </ul>	<b>\$ 290.99</b>
3		<p><b>P/N: B-HAB Hot Air Rework Basic</b> Q'ty: 1 unit</p> <ul style="list-style-type: none"> <li>• CPU controls precisely both temperature and air flow to tight specifications.</li> <li>• Fully digital settings and visual display for easy use and control.</li> <li>• Built-in fan for air control eliminates need for separate air pump.</li> <li>• Can be used for QFP, SOP,PLCC, and BGA ICs.</li> </ul>	<b>\$ 150.90</b>

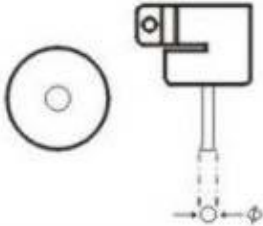
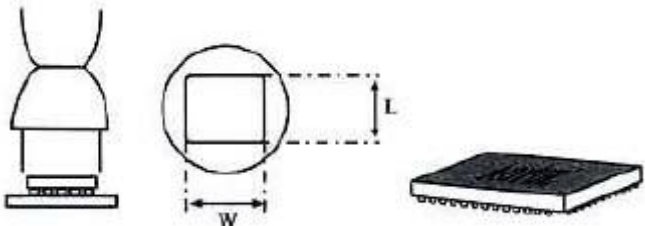
**Nozzles (Fit most of the industry hot air tools: Hakko, OK etc.)**

To see the detail: <http://www.bomir.com/online/?sub=399>

Part No	Description	Available Q'ty	Price
			
<b>B-TS13X10</b>	TSOP 13x10mm Nozzle size: 11.9x10	1	<b>\$ 25.90</b>
<b>B-TS18.5X8</b>	TSOP 18.5x8mm Nozzle size: 18.5x10	1	<b>\$ 25.90</b>

Part No	Description	Available Q'ty	Price
			
<b>B-SJ15X8</b>	SOJ 15x8mm Nozzle size: 16x8	1	<b>\$ 24.90</b>
<b>B-SJ18X8</b>	SOJ 18x8mm Nozzle size: 19x10	1	<b>\$ 24.90</b>
<b>B-SJ10X26</b>	SOJ 10x26mm Nozzle size: 25.9x12	1	<b>\$ 24.90</b>

To order call: 570-842-4725 or e-mail [bomir@bomir.com](mailto:bomir@bomir.com)  
Reference "SuperSale" and P/N .....of the product listed in this document.

Part No	Description	Available Q'ty	Price
			
B-2.5	Single ø2.5mm	1	\$ 14.90
B-4.4	Single ø4.4mm	1	\$ 14.90
B-6	Single ø6mm	2	\$ 14.90
B-8	Single ø8mm	2	\$ 14.90
B-7	Single ø7mm	1	\$ 14.90
B-9	Single ø9mm	1	\$ 14.90
B-12	Single ø12mm	2	\$ 14.90
			
B-B9x9	BGA 9x9mm Nozzle size 10x10mm	1	\$ 26.90
B-B12X12	BGA 12x12mm Nozzle size 13x13mm	2	\$ 26.90
B-B15X15	BGA 15x15mm Nozzle size 16x16mm	1	\$ 26.90
B-B18X18	BGA 18x18mm Nozzle size 18x18mm	1	\$ 26.90
B-B27X28	BGA 27x27mm Nozzle size 28x28mm	1	\$ 26.90
B-B36X36	BGA 35x35mm Nozzle size 36x36mm	1	\$ 26.90
B-B38X38	BGA 38x38mm Nozzle size 41x41mm	1	\$ 26.90
B-B40X40	BGA 40x40mm Nozzle size 41x41mm	1	\$ 26.90

Part No	Description	Available Q'ty	Price
			
B-3	Bent Single ø3mm	1	\$ 14.90
			
B-SP4.4X10	SOP 4.4x10mm Nozzle size 4.8x10mm	1	\$ 24.90
B-SP5.6X13	SOP 5.6x13mm Nozzle size 5.7x15mm	1	\$ 24.90
B-SP7.5X15	SOP 7.5x15mm Nozzle size 7.2x16mm	1	\$ 24.90
B-SP7.5X1.8	SOP 7.5x18mm Nozzle size 7.2x19mm	1	\$ 24.90
B-SP11X21	SOP 11x21mm Nozzle size 11.7x21mm	1	\$ 24.90
B-SP7.6X12.7	SOP 7.6x12.7mm Nozzle size 8.2x11.7mm	1	\$ 24.90
B-SP13X28	SOP 13x28mm Nozzle size 13.5x29mm	1	\$ 24.90
B-SP8.6X18	SOP 8.6x18mm Nozzle size 8.7x19mm	2	\$ 24.90
			
B-QF17x17	BQFP 17x17mm Nozzle size: A=B=18.2, C=D=13.6mm	1	\$ 27.90
B-QF19x19	BQFP 19x19mm Nozzle size: A=B=19.2, C=D=16mm	1	\$ 27.90
B-QF24x24	BQFP 24x24mm Nozzle size: A=B=24.2, C=D=21mm	1	\$ 27.90
B-QF35x35	BQFP 35x35mm Nozzle size: A=B=35.2, C=D=30.6mm	1	\$ 27.90

To order call: 570-842-4725 or e-mail [bomir@bomir.com](mailto:bomir@bomir.com)  
 Reference "SuperSale" and P/N .....of the product listed in this document.

Part No	Description	Available Q'ty	Price
<b>B-P17.5X17.5</b>	PLCC 17.5x17.5mm Nozzle size: A=B=18.5, C=D=15mm	1	<b>\$29.90</b>
<b>B-P20X20</b>	PLCC 20x20mm Nozzle size: A=B=21, C=D=19mm	1	<b>\$29.90</b>
<b>B-P25X25</b>	PLCC 25x25mm Nozzle size: A=B=26, C=D=24mm	1	<b>\$29.90</b>
<b>B-P30X30</b>	PLCC 30x30mm Nozzle size: A=B=31, C=D=29mm	1	<b>\$29.90</b>
<b>B-P7.3X12.5</b>	PLCC 7.3x12.5mm Nozzle size: A=9, B=14, C=D=6.9mm	1	<b>\$29.90</b>
<b>B-P11.5X11.5</b>	PLCC 11.5x11.5mm Nozzle size: A=B=35.2, C=D=30.6mm	1	<b>\$29.90</b>
<b>B-P11.5X14</b>	PLCC 11.5x14mm Nozzle size: A=15, B=13, C=15, D=10mm	1	<b>\$29.90</b>
<b>B-P9X9</b>	PLCC 9x9mm Nozzle size: A=B=11, C=D=10mm	1	<b>\$29.90</b>
<b>B-P34X34</b>	PLCC 34x34mm Nozzle size: A=B=36.5, C=D=33.5mm	1	<b>\$29.90</b>
<b>B-Sip25</b>	Sip25L Nozzle length 26mm	1	<b>\$ 14.90</b>
<b>B-Sip50</b>	Sip50L Nozzle length 52.5mm	1	<b>\$ 14.90</b>

Part No	Description	Available Q'ty	Price
<b>B-Q10X10</b>	QFP 10x10mm Nozzle size: A=B=10.2, C=D=10mm	1	<b>\$ 27.90</b>
<b>B-Q14X14</b>	QFP 14x14mm Nozzle size: A=B=15.2, C=D=15mm	1	<b>\$ 27.90</b>
<b>B-Q17.5X17.5</b>	QFP 17.5x17.5mm Nozzle size: A=B=19.2, C=D=19mm	1	<b>\$ 27.90</b>
<b>B-Q28X28</b>	QFP 28x28mm Nozzle size: A=B=29.5, C=D=29mm	1	<b>\$ 27.90</b>
<b>B-Q42.5X42.5</b>	QFP 42.5x42.5mm Nozzle size: A=B=42.5, C=D=40mm	1	<b>\$ 27.90</b>
<b>B-Q12X12</b>	QFP 12x12mm Nozzle size: A=B=12.2, C=D=12mm	1	<b>\$ 27.90</b>
<b>B-Q28X40</b>	QFP 28x40mm Nozzle size: A=27.7, B=39.7, C=29, D=39mm	1	<b>\$ 27.90</b>
<b>B-Q40X40</b>	QFP 40x40mm Nozzle size: A=B=40.2, C=D=39mm	1	<b>\$ 27.90</b>
<b>B-Q32X32</b>	QFP 32x32mm Nozzle size: A=B=32.2, C=D=31mm	1	<b>\$ 27.90</b>
<b>B-5-10</b>	Adjustable pitch 5-10mm	1	<b>\$14.90</b>

